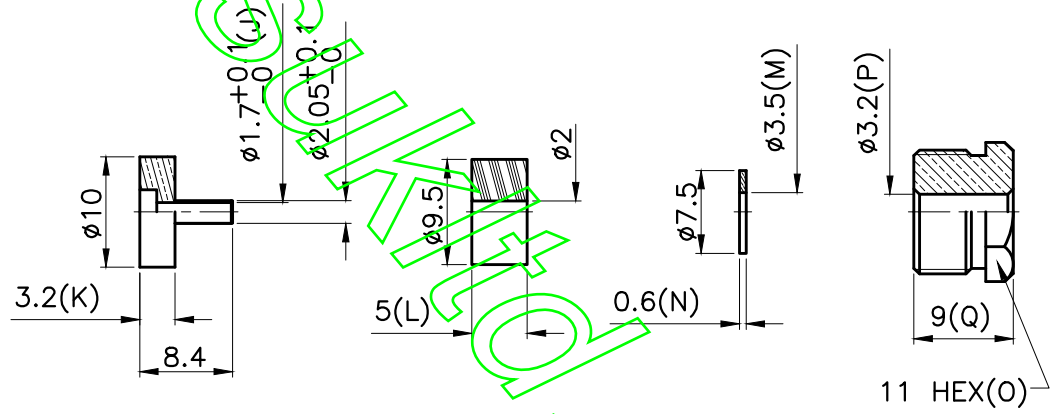
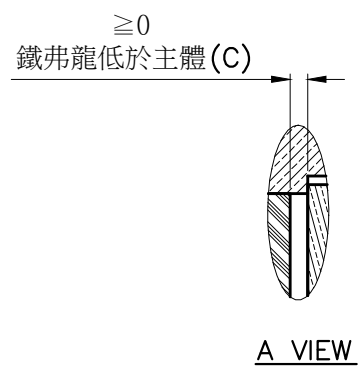
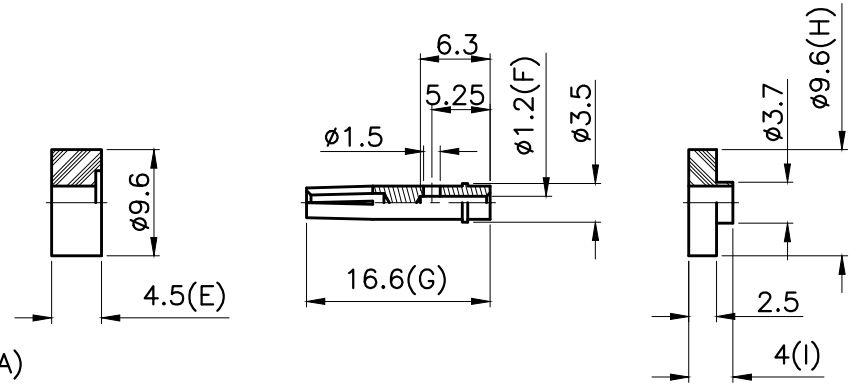
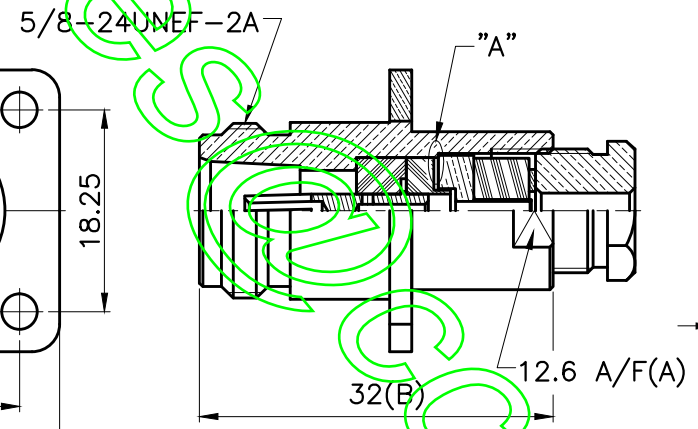
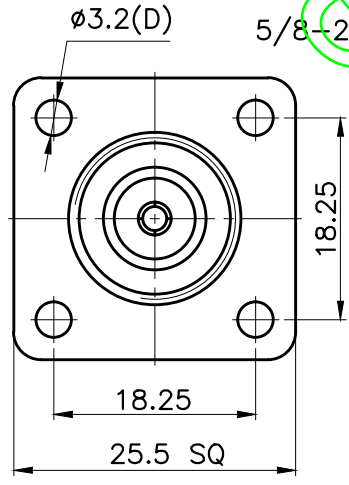
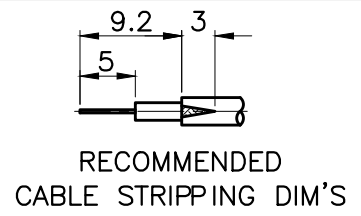


REVISIONS	
ISS	DESCRIPTION \ DATE

RoHS COMPLIANT



CONNECTORS CABLES  
**CBS**  
SPECIALISTS LTD.

TITLE: N FEMALE PANEL CLAMP  
(FOR RG174)  
PART NO: NPAJSC174  
DR. NO: 030

APRD:	UNLESS OTHERWISE SPECIFIED TOLERANCES 0.5-6 = ±0.2 >6-30 = ±0.4 >30-120 = ±0.6 >120-315 = ±1 >315-1000 = ±1.6 ANGLES = ±5°	UNIT: mm
CHKD:		SCALE: 1.5/1
DR:		
DATE: 01/30/13"		
SHEET: .		

NUT	BRASS	NICKEL
WASHER	BRASS	NICKEL
GASKET	SILICONE	WHITE
TOP HAT	BRASS	NICKEL
INSULATOR	TEFLON	WHITE
CONTACT PIN	PHOSPHOR BRONZE	GOLD
INSULATOR	TEFLON	WHITE
BODY	BRASS	NICKEL
NO. DESCRIPTION	MATERIAL	FINISH